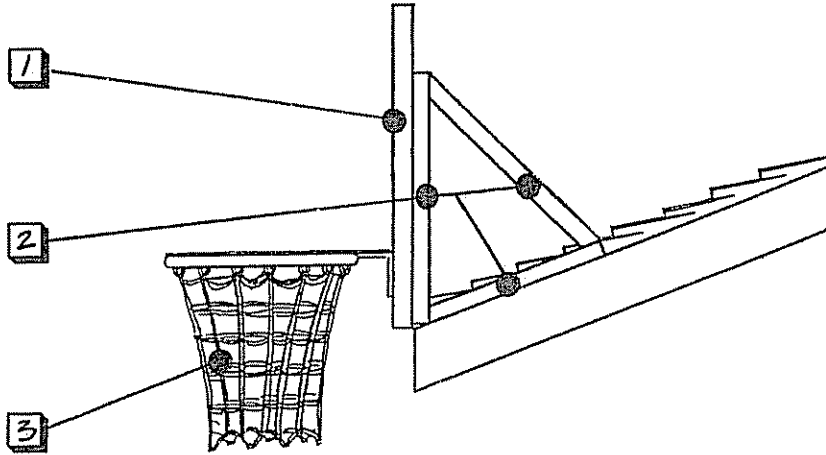




BASKETBALL BACKBOARD STANDARD

Property at _____



Neighbor's Initials

1. _____

2. _____

3. _____

- 1** Basketball Backboard must be clear acrylic. No tinted or smoked backboards are allowed. Logos or advertising may not be allowed depending on size, color, or design.

Homeowner's Signature

Date

- 2** Basketball Backboard supports must match or be painted to match the surface color they are attached to.

Homeowner's Signature

Date

- 3** All Basketball Backboard nets must be white. Due to noise, no chain netting is allowed.

Homeowner's Signature

Date